
SPECIFICATION FOR APPROVAL

Product	PIEZO BUZZER ELEMENT
Part No.	AE-2044F-N
Customer Approval	

Approved By	Checked By	Made By

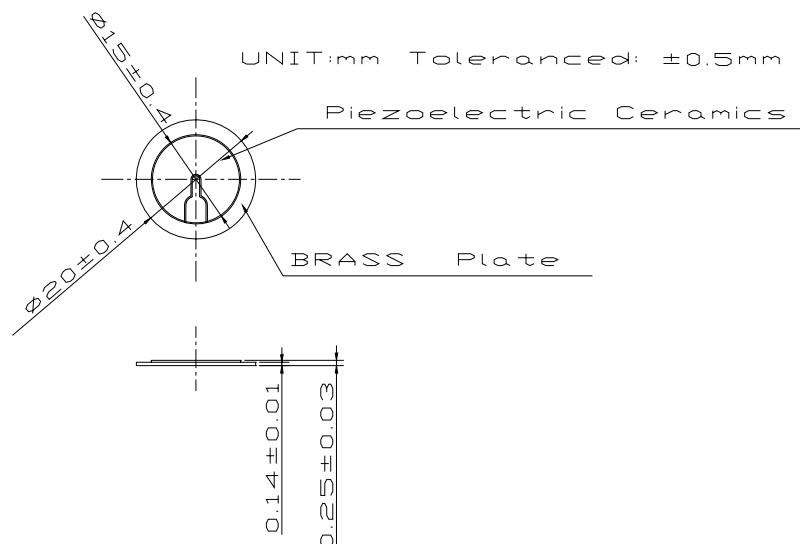


A & B Components

<http://www.speaker-tw.com>

ITEM		CONDITION
01	Type.	EXTERNAL -drive type sound element
02	Resonant Frequency (KHz)	4.4± 0.5 at 25± 2°C , 45~60% RH
03	Resonant Impedance (OHM)	300 OHM Max. at 25± 2°C , 45~60% RH
04	Capacity (PF)	20000±30% at 1.0KHz 1Vrms
05	Input Voltage (MAX)	30 Vp-p
06	Plate Material	BRASS
07	Operating Temperature (°C)	-20 to +60
08	Storage Temperature (°C)	-20 to +70

AE-2044F-N



■ Piezo Ceramic Test Fixture

1. Resonant Freq. → YHP – 4192A at 1 Vrms (sweep frequency : 1KHz)
2. Resonant Imp. → YHP – 4192A at 1 Vrms (sweep frequency : 1KHz)
3. Capacitance → YHP – 4192A at 1 KHz

■ Piezo Ceramic Reliability Test

No.	Item	Condition	Variance after Conditioning
01	High temperature	+70°C±2°C , 240 hrs	Resonant freq.: Initial value ±10%
02	Low temperature	-40°C±2°C , 240 hrs	
03	Humidity	+40°C±2°C , 90~95%RH , 240 hrs	
04	Thermal shock	-20°C±2°C (30min) →20°C (15min) →70°C±2°C (30min) →20°C (15min) 20 cycles	Capacitance: Initial value ±15%
05	Temp. dependence	On place -20~ +70°C rel. 20°C	Resonant freq.: ±15% Capacitance: 0.8% / °C

Test specimens shall be kept for 4 hrs. (25°C) before measurement.