
SPECIFICATION FOR APPROVAL

Product	PIEZO BUZZER
Part No.	AZ-1658E-WV
Customer Approval	

Approved By	Checked By	Made By



A & B Components

<http://www.speaker-tw.com>

1. Specifications

AZ-1658E-WV

Items		Units	Specifications	Conditions
01	Rated Voltage	Vp-p	3	(square wave)
02	Operating Voltage	Vp-p	1~5	
03	Rated Current	mA(Max)	10	
04	Sound Output At 10cm	dBA(Min)	65	At 3Vp-p ,5.8KHz / 10cm
05	Resonant Frequency	Hz	5800±500	
06	Capacitance	pF	14000±30%	At 120Hz
07	Operating Temp.	°C	-20 ~ +70	
08	Storage Temp.	°C	-40 ~ +85	
09	Weight	g	2.0	

2. Measuring Method

2-1. Test Condition

STANDARD

Temperature : 15 ~ 35°C

Relative humidity : 25% ~ 85%,

Atmospheric pressure : 860mbar to 1060mbar.

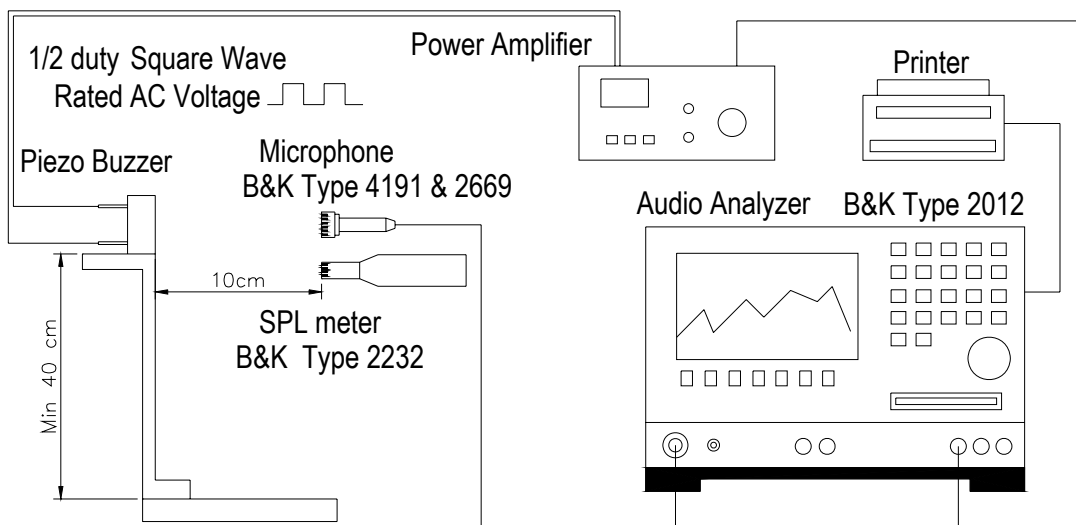
JUDGEMENT

Temperature : 20±3°C

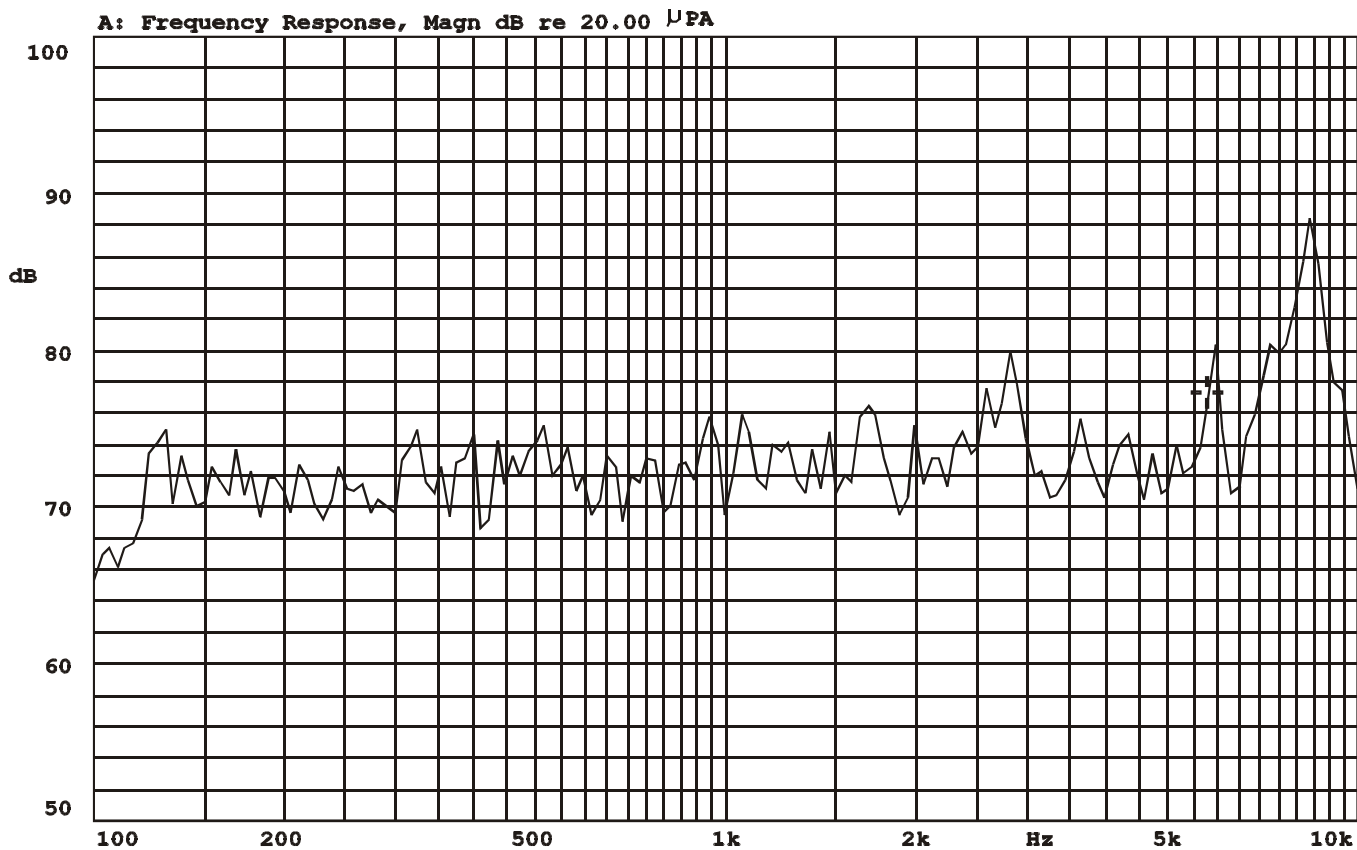
Relative humidity : 60% ~ 70%,

Atmospheric pressure : 860mbar to 1060mbar

2-2. Standard Test Fixture

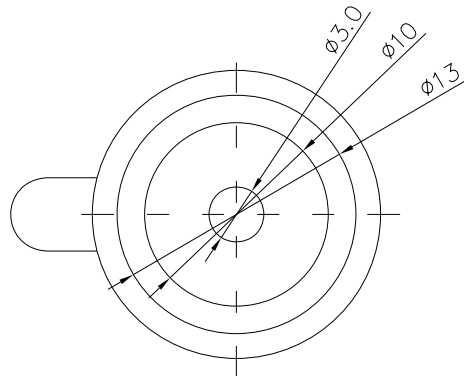
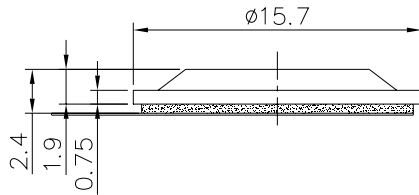
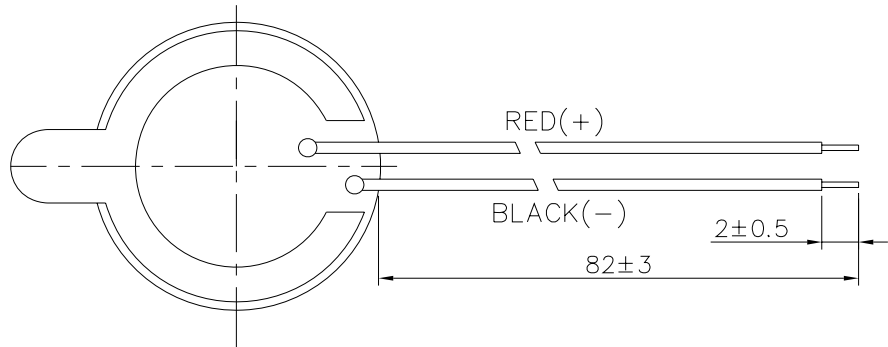


2-3. Frequency Response Curve



Mode: SSR





WIRE: UL1571 32AWG

TITLE: <i>PIEZO BUZZER</i>		DRAWN: <i>Richard</i> 2006/01/11	SCALE: 3:1	SHEET: 1 : 1
PART NO. <i>AZ-1658E-WV</i>		DESIGNED: <i>R & D DEP.</i>	UNITS: <i>mm</i>	
DWG NO. <i>DPT-1032</i>		1 REV	TOLERANCE ± 0.5	
			UNLESS OTHERWISE SPECIFIED: ONE PLACE DECIMAL ± *** TWO PLACE DECIMAL ± *** THREE PLACE DECIMAL ± ***	
		MATERIAL:		

A & B Components

4. Reliability Test

Item	Conditions	Evaluation standard
01 Low Temp. Storage Test	-40°C ±2°C ,240Hr	After the test the part shall meet specifications without Any degradation and performance except S.P.L S.P.L shall be 57dB or more.
02 High Temp.Storage Test	85°C ±2°C ,240Hr	
03 Temp./Humidity Storage Test	40°C ±2°C , RH90-95% 240Hr	
04 Thermal Shock Test	-40°C ±2°C (0.5Hr)→ ,20°C ±2°C (0.25Hr) 85°C ±2°C (0.5Hr)→ ,20°C ±2°C (0.5Hr) 5 cycles	
05 Vibration Test	10-55Hz/2 Hr amplitude1.5mm X,Y, Z,3 directions	
06 Mechanical Shock Test	+100G,Half Sine wave, XYZ , 3 impacts per axis ,3 times.	
07 Free Drop Test	The part shall be dropped freely from a height of 75 cm X,Y, Z,3 directions 3times (total 9 times)	
08 Life Burning Test	The part shall be subjected to 500 hrs in the room temp with rated voltage applied	
09 Lead Strength Test	Pull Lead with a force of 10N,on the direction of the lead axis for 10±1 sec.	