

---

# SPECIFICATION FOR APPROVAL

Product	PIEZO BUZZER
Part No.	AZ-17404E-W
Customer Approval	

Approved By	Checked By	Made By



**A & B Components**

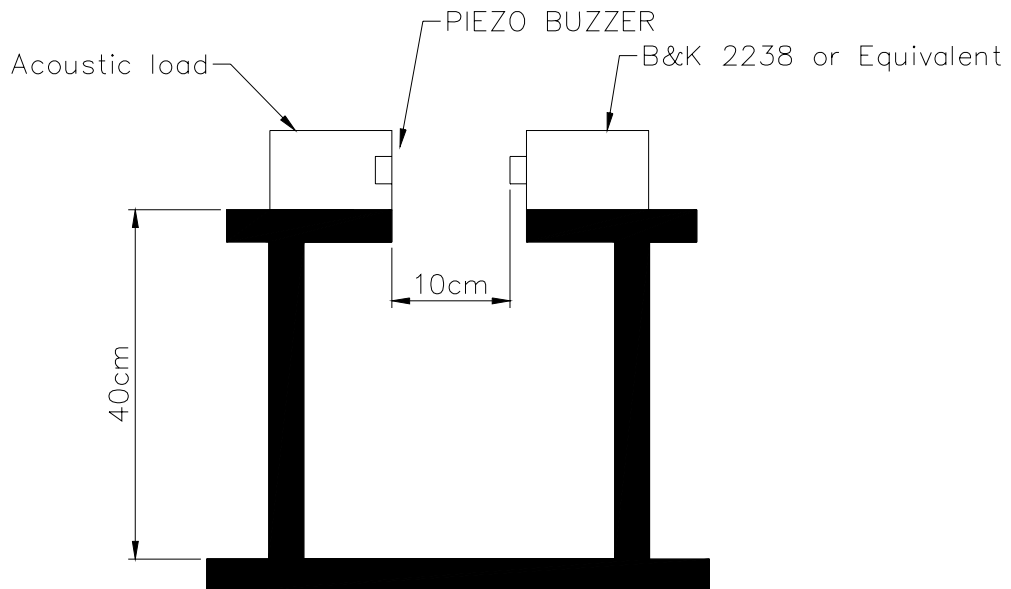
<http://www.speaker-tw.com>

## AZ-1740E-W

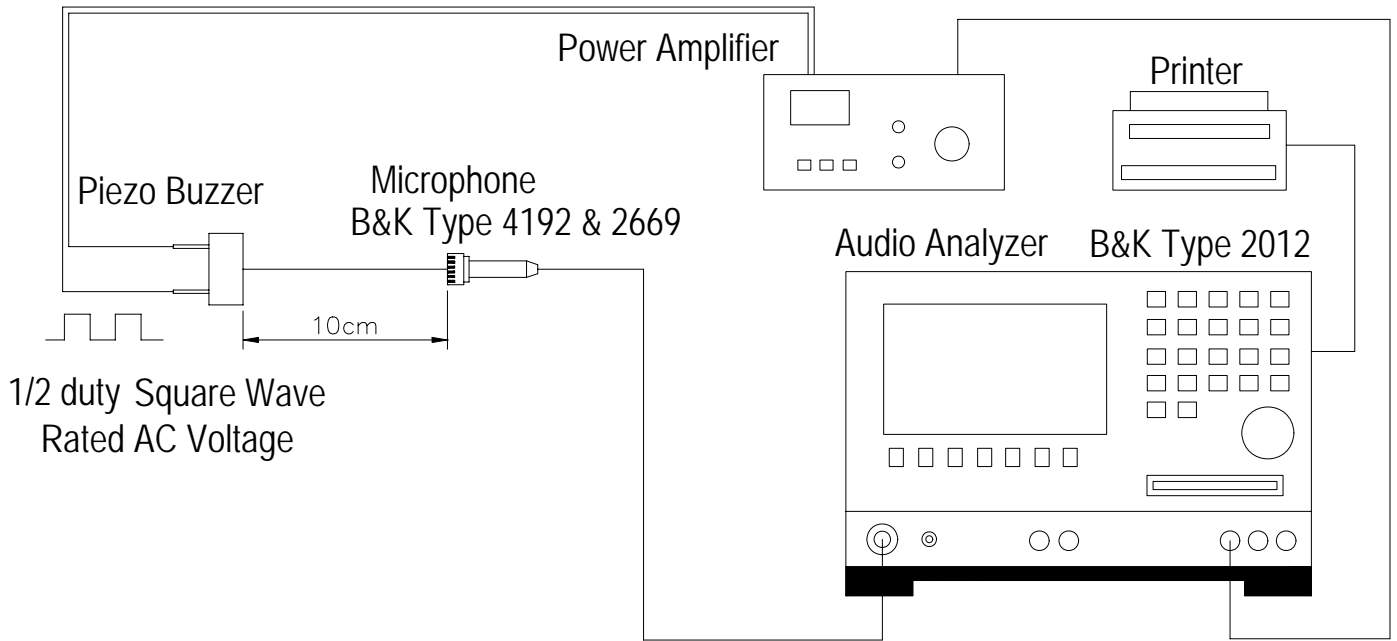
Items		Units	Specifications	Conditions
01	Rated Voltage	Vp-p	9	Square Wave
02	Operating Voltage	Vp-p	1-30	
03	Rated Current (Max)	mA	10	9Vp-p / 4.0KHz
04	Sound Output At 10cm	dBA	80	At 9Vp-p / 4.0KHz
05	Resonant Frequency	Hz	4000±500	
06	Capacitance at 1000Hz	pF	15000±30%	
07	Lead wire Material	UL1571,AWG30		
08	Operating Temp.	°C	-20 ~ +70	
09	Storage Temp.	°C	-30 ~ +70	
10	Weight	g	1	

Value Applying Rated Voltage

### STANDARD TEST FIXTURE

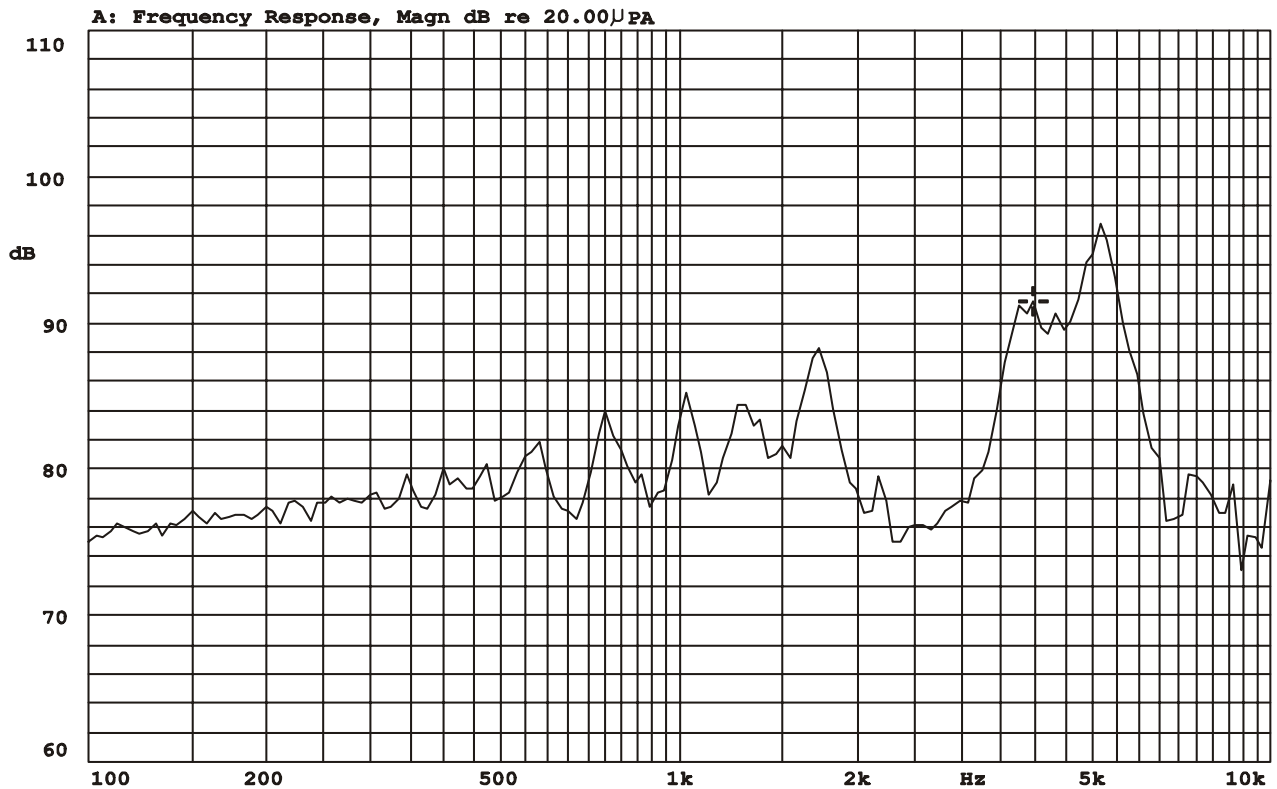


# Standard test condition of piezo buzzer



## Frequency Response Curve

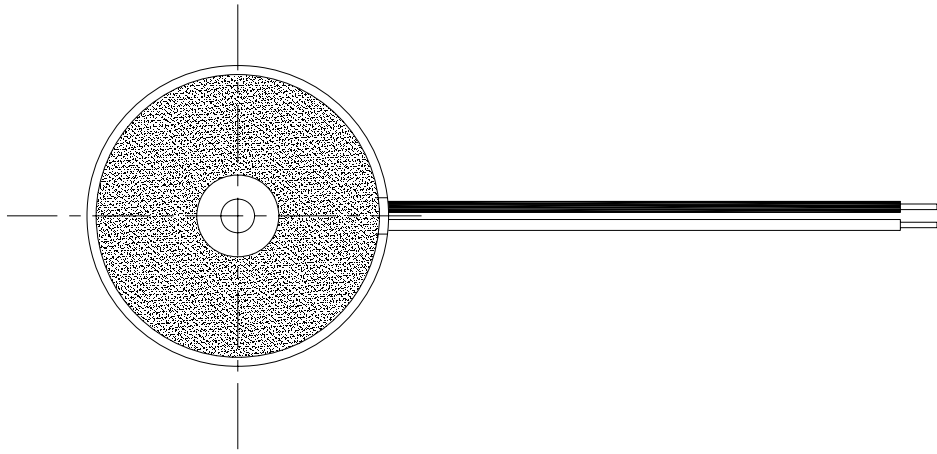
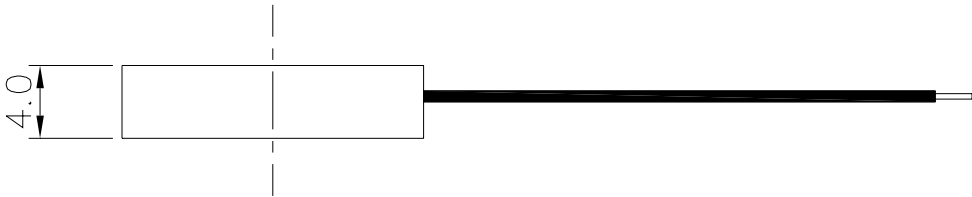
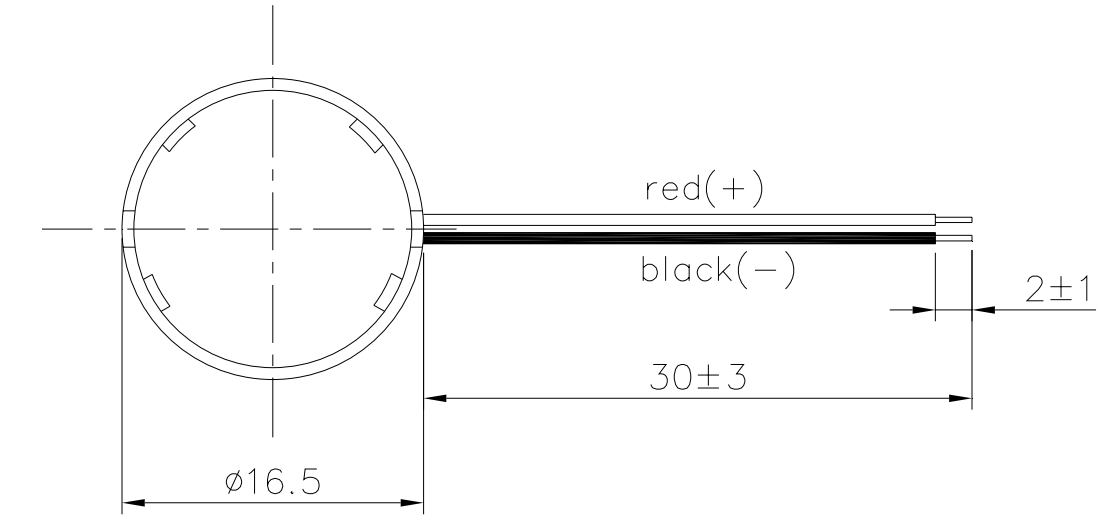
X:3.9811kHz Y:91.48dB ZA:Live Curve SSR T. RMS



Mode: SSR



REV NO.	REVISION NOTE	APPROVAL	DATE
---------	---------------	----------	------



TITLE: <i>PIEZO BUZZER</i>		DRAWN: <i>Richard</i> 2004/06/05	SCALE: 2:1	SHEET: 1 : 1
PART NO. <i>AZ-1740E-W</i>	<b>1</b>	DESIGNED: R & D DEP.	UNITS: mm	
DWG NO. <i>DPE-1089</i>		CHECKED:	TOLERANCE $\pm 0.5$	
REV		APPROVAL:	UNLESS OTHERWISE SPECIFIED: ONE PLACE DECIMAL $\pm$ *** TWO PLACE DECIMAL $\pm$ *** THREE PLACE DECIMAL $\pm$ ***	
		MATERIAL: ABS		

*A & B Components*

# RELIABILITY TEST

## AZ-1740E-W

Item	Conditions	Evaluation standard
01 Low Temp. Storage Test	A°C±2°C ,240Hr	(S.P.L)Test before numerical ±10dB *wrong (Frequency)Test before numerical ±10% (Current)Test before numerical ±10% (No crake is allowed on the part surface after Free drop test ) ● After the test ,the part shall meet the specifications without any degradation in appearance and performance
02 High Temp.Storage Test	B°C±2°C RH50% ,240Hr	
03 Temp./Humidity Storage Test	40°C±2°C , RH90-95% 240Hr	
04 Thermal Shock Test	A°C±2°C (1Hr)→ ,20°C±2°C (1Hr) B°C±2°C (1Hr)→ ,20°C±2°C (1Hr)10 cycle	
05 Vibration Test	10-55Hz/1min amplitude1.5mm,X,Y,Z,3 directions	
06 Mechanical Shock Test	+100G,Sine wave, XYZ , 3 impacts per axis	
07 Free Drop Test	The part shall be dropped freely from a height of 75 cm onto concrete 1 time in 2 axes (total 4 times )	
08 Life Burning Test	The part shall be subjected to 1000 hrs in the room temp with rated voltage applied	
09 Lead Wire / Pin Pull Test	The Part checking standard : Following supplier's Spec. Finished-part checking Standard vertical Pull i)100g MIN 0.05mm Thickness of ceramic ii)300g MIN 0.1mm ≤ Thickness of ceramic b: Horizontal Pull i)700g MIN	

Remark : "A"means Storage low temp. "B"means Storage high temp