
SPECIFICATION FOR APPROVAL

Product	PIEZO BUZZER
Part No.	AZ-4530E-P
Customer Approval	

Approved By	Checked By	Made By



A & B Components

<http://www.speaker-tw.com>

AZ-4530E-P

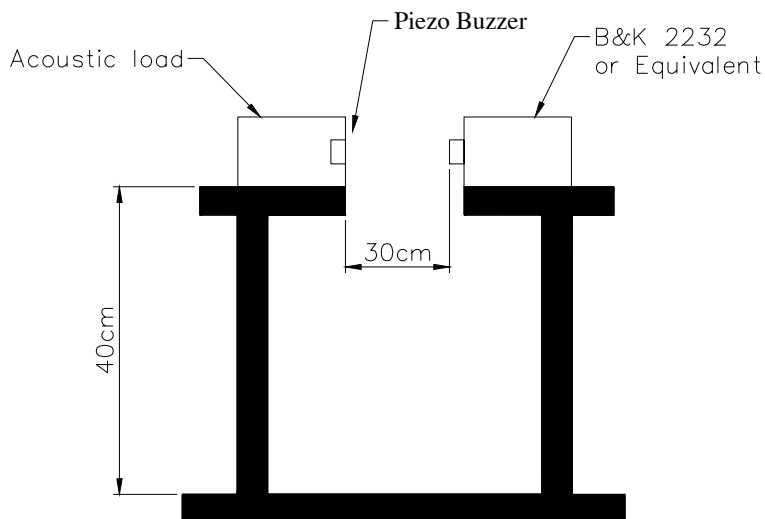
Items		Units	Specifications		Conditions
01	Continuous Voltage	Vp-p	Square Wave 50	Sine Wave 85	
02	Intermittent Voltage	Vp-p	Square Wave 60	Sine Wave 100	
03	Sound Output At 30cm	dBA(Min)	100		At 12Vp-p Square WAVE / 3KHz
04	Resonant Frequency	Hz	2.2K – 4.0 K		
05	Capacitance at 120Hz	nF	140±30%		
07	Operating Temp.	°C	-40 ~ +105		
08	Storage Temp.	°C	-40 ~ +105		
09	Weight	g	11.5±2		

Measurement Condition

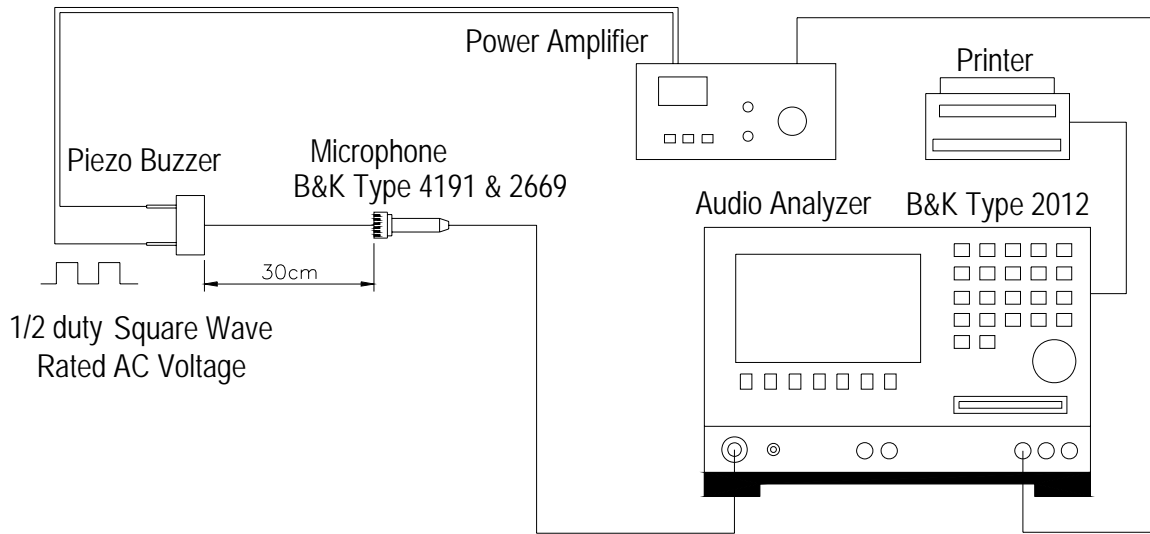
Test and measurement will be carried out under normal condition of temperature within 5°C to 35°C, relative humidity within 45% to 85% and air pressure of 860mbar to 1060mbar. Should uncertainly arise in data obtained from the above atmosphere, control of temperature At 20°C±2°C and relative humidity within 60% and 70%, with air pressure remaining unchanged, To be enforced.

Value Applying Rated Voltage

STANDARD TEST FIXTURE

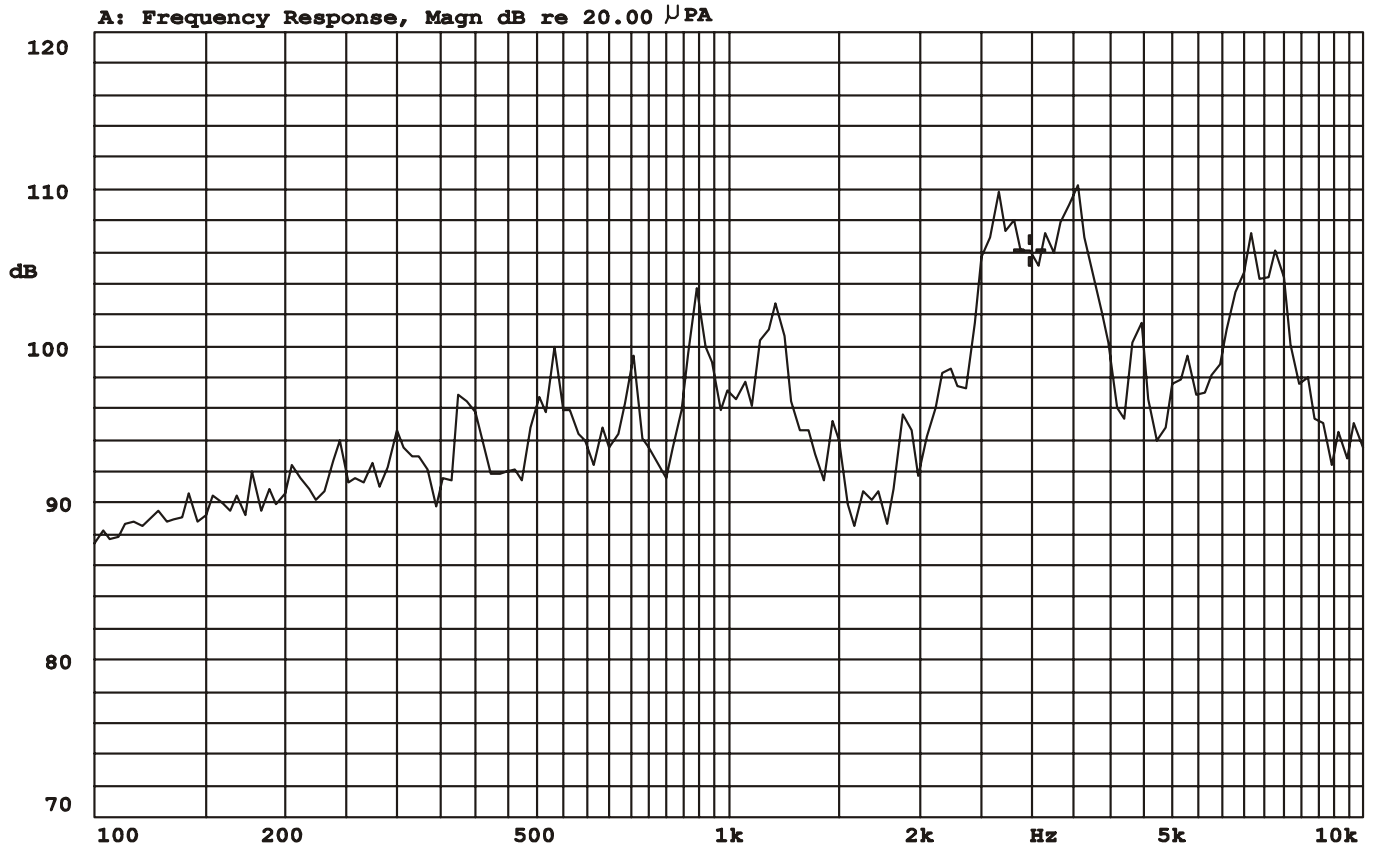


Standard test condition of piezo buzzer



Frequency Response Curve

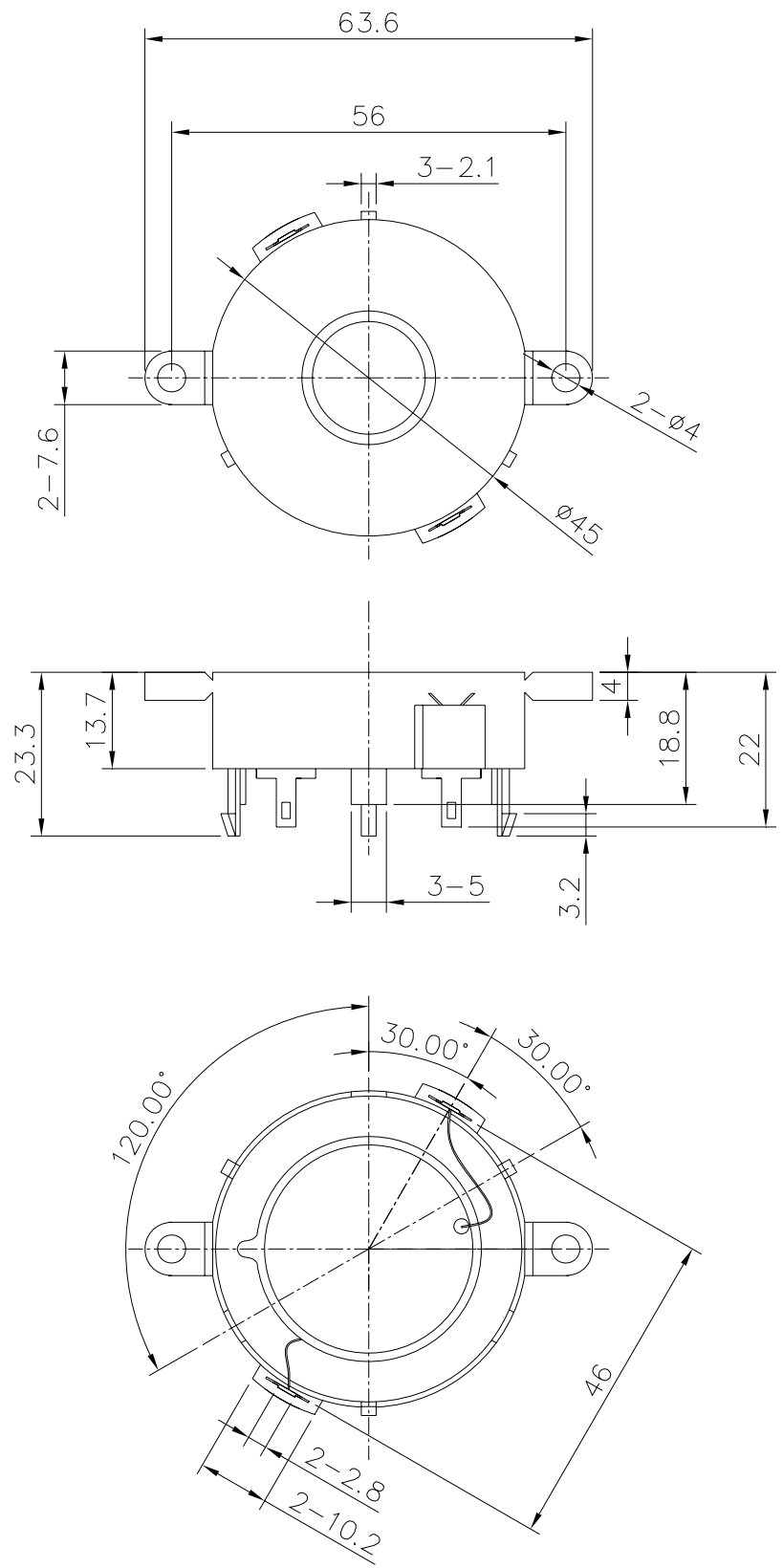
X:2.9854kHz Y:106.09dB ZA:Live Curve SSR T. RMS



Mode: SSR



REV NO.	REVISION NOTE	APPROVAL	DATE
---------	---------------	----------	------



TITLE:	PIEZO BUZZER	DRAWN:	Richard 05 /22/2003	SCALE:	1:1	SHEET:	1 of 1
PART NO.	AZ-4530E-P	DESIGNED:	R & D DEP.	UNITS:	mm	TOLERANCE ± 0.5	
DWG NO.	DTP-1211	CHECKED:		UNLESS OTHERWISE SPECIFIED:			
		APPROVAL:		ONE PLACE DECIMAL \pm ***			
		MATERIAL:		TWO PLACE DECIMAL \pm ***			
				THREE PLACE DECIMAL \pm ***			

A & B Components

RELIABILITY TEST

AZ-4530E-P

Item		Conditions	Evaluation standard
01	Low Temp. Storage Test	A°C±2°C ,240Hr	(S.P.L)Test before numerical ±10dB (Frequency)Test before numerical ±10% (Current)Test before numerical ±10% (No crake is allowed on the part surface after Free drop test) ● After the test ,the part shall meet the specifications without any degradation in appearance and performance
02	High Temp. Storage Test	B°C±2°C RH50% ,240Hr	
03	Temp./Humidity Storage Test	40°C±2°C , RH90-95% 240Hr	
04	Thermal Shock Test	A°C±2°C (1Hr)→ ,20°C±2°C (1Hr) B°C±2°C (1Hr)→ ,20°C±2°C (1Hr)10 cycle	
05	Vibration Test	10-55Hz/1min amplitude1.5mm,X,Y,Z,3 directions	
06	Mechanical Shock Test	+100G,Sine wave, XYZ , 3 impacts per axis	
07	Free Drop Test	The part shall be dropped freely from a height of 75 cm onto concrete 1 time in 2 axes (total 4 times)	
08	Life Burning Test	The part shall be subjected to 1000 hrs in the room temp with rated voltage applied	
09	Lead Wire / Pin Pull Test	The Part checking standard : Following supplier's Spec. Finished-part checking Standard vertical Pull i)100g MIN 0.05mm Thickness of ceramic ii)300g MIN 0.1mm ≤ Thickness of ceramic b: Horizontal Pull i)700g MIN	

Remark : "A" means Storage low temp. "B" means Storage high temp