
SPECIFICATION FOR APPROVAL

Product	PIEZO BUZZER (SELF DRIVE)
Part No.	AZ-3032S-WP
Customer Approval	

Approved By	Checked By	Made By



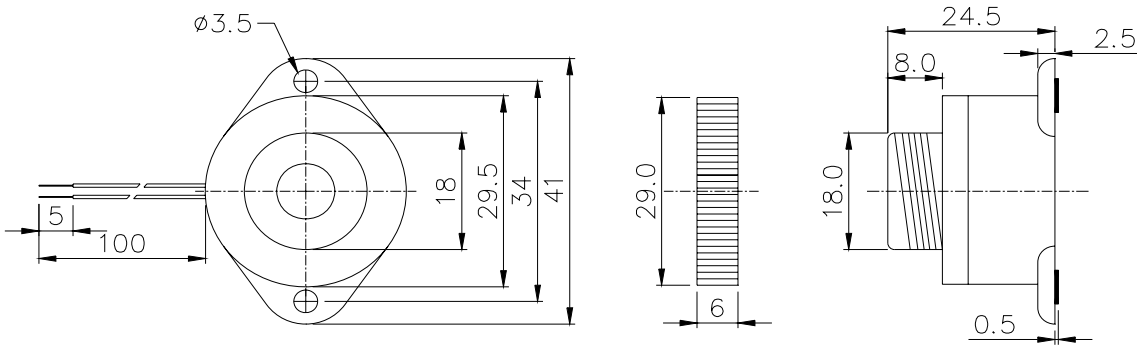
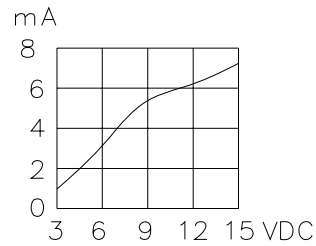
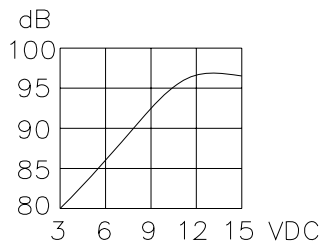
A & B Components

<http://www.speaker-tw.com>

AZ-3032S-WP

	Items	Units	Specifications	Conditions
01	Rated Voltage	VDC	12.0	
02	Operating Voltage	VDC	3~15	
03	Rated Current	mA(Max)	10	
04	Sound Output At 30cm	dBA(Min)	90	
05	Resonant Frequency	Hz	3200±500	
06	Operating Temp.	°C	-20 ~ +60	
07	Storage Temp.	°C	-30 ~ +70	
08	Tone Nature	Pulse		
09	Weight	g	15	

Value Applying Rated Voltage (VDC)



unit: mm tolerance: ±0.5mm

Housing material: ABS

Wave solder and wash not allowed

WIRE : UL 1007 , 26 AWG .

YELLOW (+) , BLACK(-)

RELIABILITY TEST

AZ-3032S-WP

Item	Conditions	Evaluation standard
01 Low Temp. Storage Test	A°C±2°C ,240Hr	(S.P.L)Test before numerical ±10dB *wrong (Frequency)Test before numerical ±10% (Current)Test before numerical ±10% (No crake is allowed on the part surface after Free drop test) ● After the test ,the part shall meet the specifications without any degradation in appearance and performance
02 High Temp.Storage Test	B°C±2°C RH50% ,240Hr	
03 Temp./Humidity Storage Test	40°C±2°C , RH90-95% 240Hr	
04 Thermal Shock Test	A°C±2°C (1Hr)→ ,20°C±2°C (1Hr) B°C±2°C (1Hr)→ ,20°C±2°C (1Hr)10 cycle	
05 Vibration Test	10-55Hz/1min amplitude1.5mm,X,Y,Z,3 directions	
06 Mechanical Shock Test	+100G,Sine wave, XYZ , 3 impacts per axis	
07 Free Drop Test	The part shall be dropped freely from a height of 75 cm onto concrete 1 time in 2 axes (total 4 times)	
08 Life Burning Test	The part shall be subjected to 1000 hrs in the room temp with rated voltage applied	
09 Lead Wire / Pin Pull Test	The Part checking standard : Following supplier's Spec. Finished-part checking Standard vertical Pull i)100g MIN 0.05mm Thickness of ceramic ii)300g MIN 0.1mm ≤ Thickness of ceramic b: Horizontal Pull i)700g MIN	

Remark : "A"means Storage low temp. "B"means Storage high temp